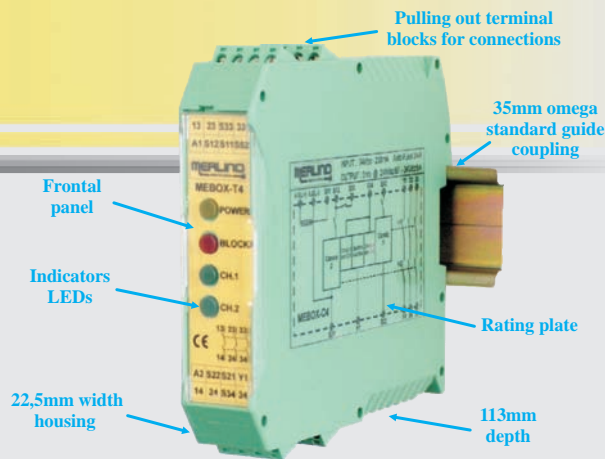


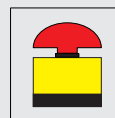
SIL3 - SILCL3 - PLe SAFETY CONTROL UNIT IN COMPLIANCE WITH UNI EN ISO 13849-1:2016



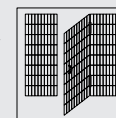
MODEL "MEBOX-C4"



Safety light-guards control



Emergency stopping control



End-stroke protection control

Safety Control Unit useful for the interconnection with all "RED" light guards models to obtain an electro-mechanical stopping command up to SIL3-SILCL3-PLe in compliance with UNI EN ISO 13849-1 Standard with a 240Vca-6A or 24Vcc-6A breaking capacity by two forced interlocked contacts safety relays.

INTERNAL CONNECTION SCHEME

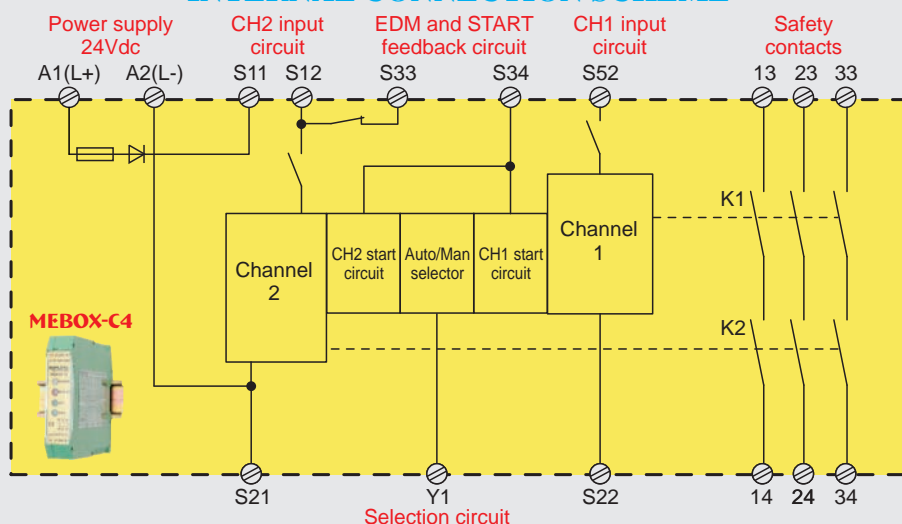


Fig.1

Description

- 22,5mm width housing coupling with a 35mm omega standard guide.
- Pulling out terminal blocks for connections
- Means of connection :
 - emergency stop push button
 - start push button
 - feedback circuit, External Device Monitor
- LED signallers for the indication of the state of the two channels, the switched-on power supply and the Block state for failure
- Forced interlocked contacts relay outputs :
 - 3 Normally Open safety contacts
- Possibility to increase number and load capacity of the output contacts by external safety contactors (Fig.8)

"MEBOX-C4" TECHNICAL CHARACTERISTICS

SUPPLY VOLTAGE	24Vdc
TOLERANCE	85 ÷ 110 %
CURRENT CONSUMPTION	200mA MAX.
SUPPLY AUTO-FUSE	750 mA
EXTERNAL CIRCUIT DIMENSION	24Vdc - 50mA
OUTPUT CONTACTS	3 NORMALLY OPEN SAFETY CONTACTS
MAX BREAKING CAPACITY	240Vac / 6A / 1500VA - 24Vdc / 6A / 150W
CONTACTS EXTERNAL FUSE	8A FAST ACTING OR 4A SLOW BLOW
RELEASE TIME	5ms MAX.
OPERATE TIME	100ms MAX.
POWER-ON TIME	500 ms
CHANNELS SIMULTANEITY	INFINITE OFF/ON - 100ms ON/OFF
MAX VOLTAGE DIP	25ms
WORKING TEMPERATURE	0 ÷ +50 °C
MAX CABLES SECTION	2 x 1 mm ² - 1 x 1,5 mm ²
SIZE	100 x 22,5 x 113 mm
WEIGHT	170 gr
FUNCTION MODE	AUTOMATIC OR CONTROLLED MANUAL START
SAFETY PERFORMANCE	SIL3 - SILCL3 - PLe in compliance with CEI/EN62061 - UNI/EN/ISO13849-1

Light indicators

POWER --> Yellow :
indicates that the device power supply at 24Vdc is switched on.

BLOCK --> Red :
indicates device out of work due to temporary or persistent failure to one or more device safety related parts. Switch-off power supply, remove the factor, switch-on again to eliminate the BLOCK state.

CH1 --> Green :
indicates that the forced interlocked contacts safety relay K1 is active.

CH2 --> Green :
indicates that the forced interlocked contacts safety relay K2 is active.

Fig.3

"MEBOX-C4"

ELECTRICAL CONNECTIONS TO A "RED2" LIGHT CURTAIN SERIES

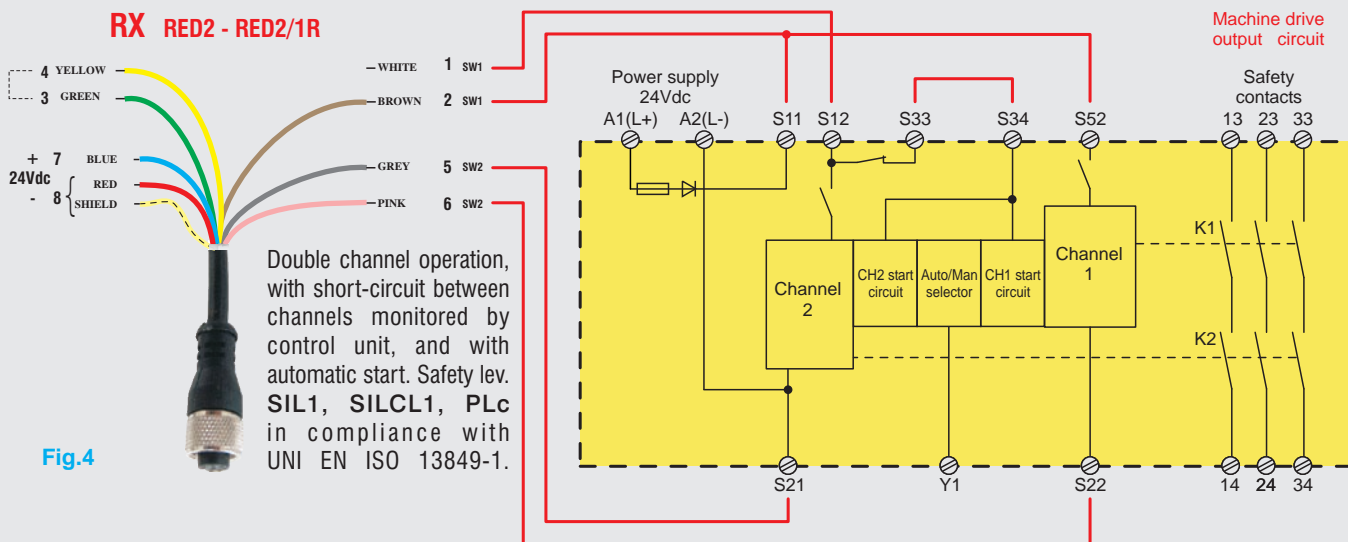


Fig.4

ELECTRICAL CONNECTIONS TO A "RED4" LIGHT CURTAIN SERIES

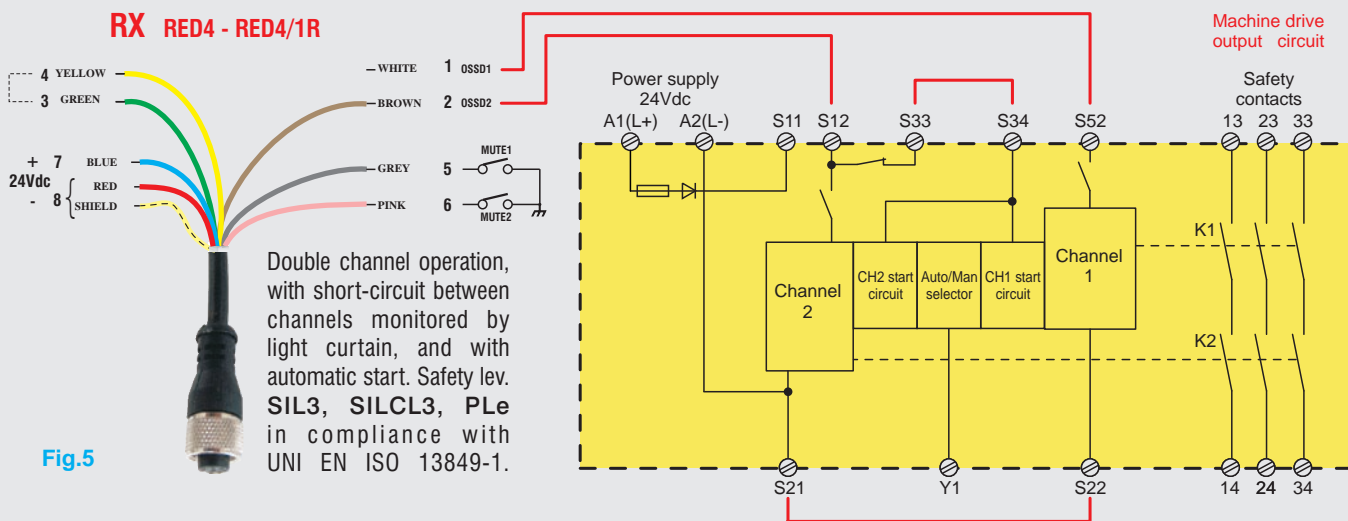


Fig.5

Monitored manual start RED2

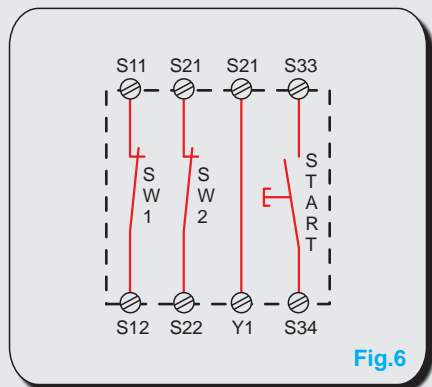


Fig.6

Monitored manual start RED4

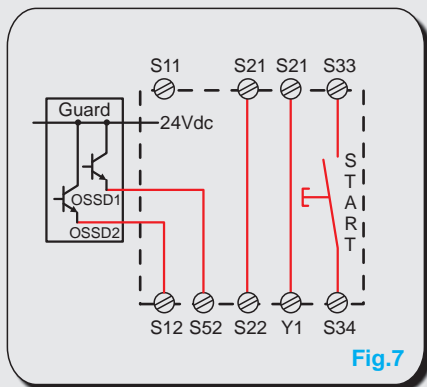


Fig.7

Increase output contacts number

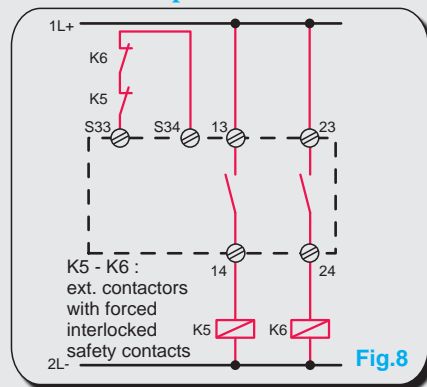


Fig.8